

Rectifier RC-series



Rectifier range for all types of applications. For example telecom, alarm equipment, switch tripping, emergency lights, and more.

**12V, 24V, 36V, 48V, 60V, 110V, 120V, 220V DC output.
Adjustable 95-120% of nominal voltage.**

Normal charge and boost charge modes.

**Power range: 150W, 300W, 600W, 1000W, 1600W.
Parallel connection for more than 1600W.**

Alarm for voltage fault, rectifier fault, high voltage, low voltage, battery circuit fault and earth fault. Relay outputs with adjustable delay.

Temperature compensated charging voltage.

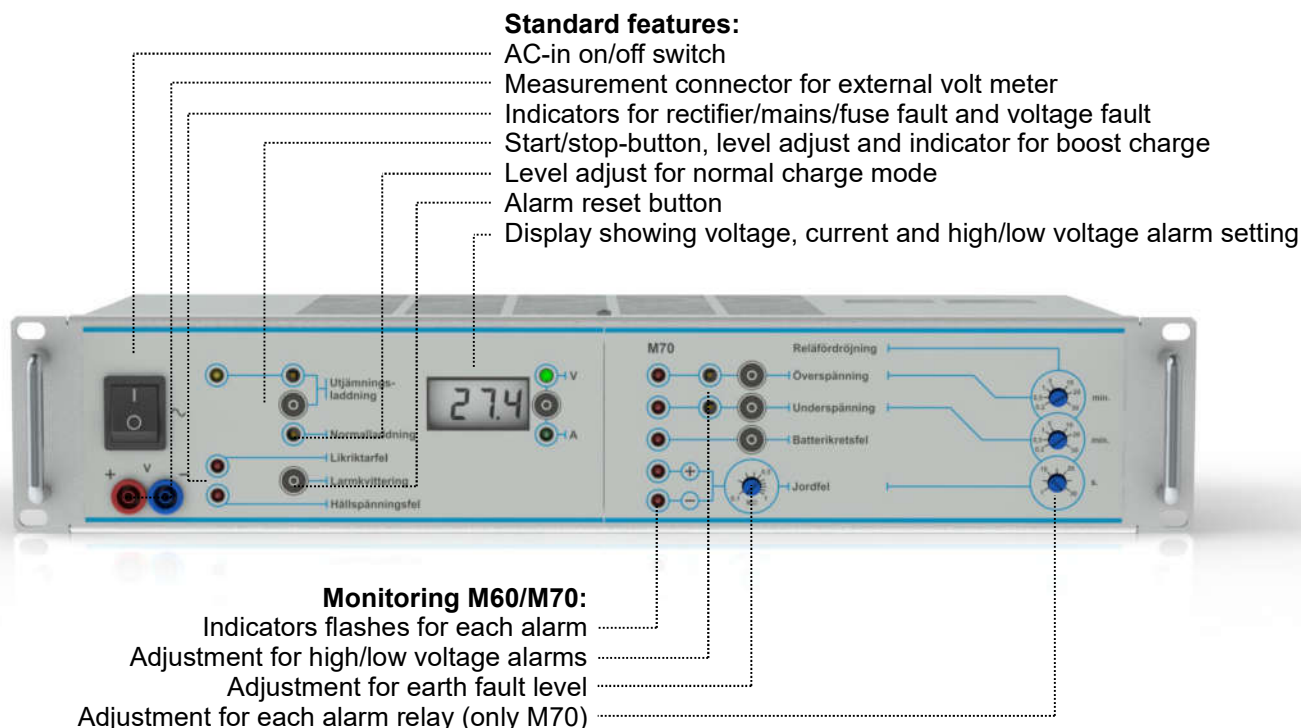
Remote sense compensating for voltage loss in cables.

1000-1600W has no fans.

150-600W uses fans only at high and continuous power.

19" or wall mount.

Made in Sweden.

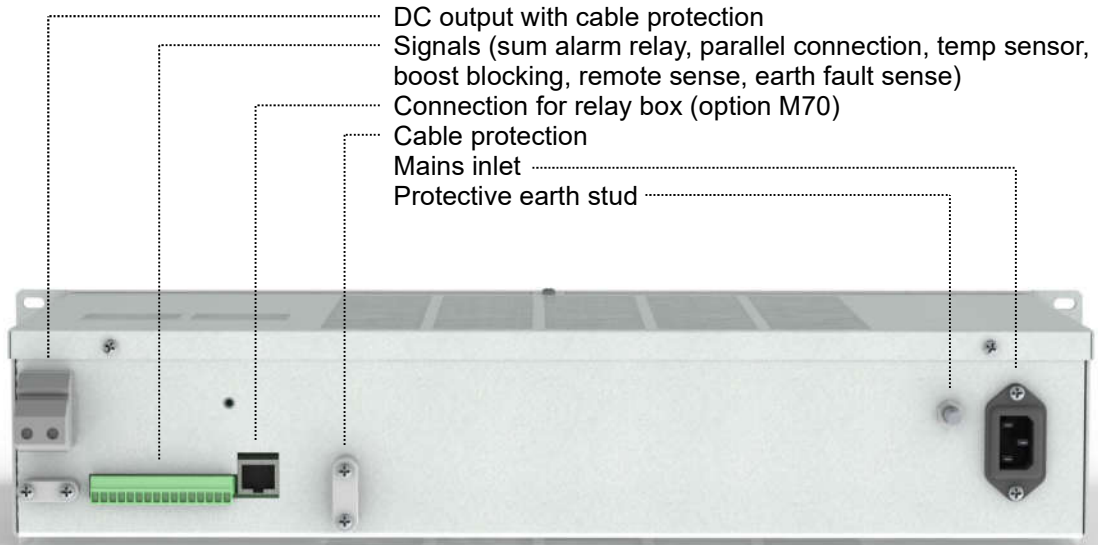


The picture shows RC 150-600W 19" with option M70. Other models may have different enclosure.

Features, alarms and settings:

	Standard	Option M60	Option M70
Normal charge mode	Yes	Yes	Yes
Boost charge mode	Yes	Yes	Yes
Boost charge timer (2/4/8/24 hours)	Yes	Yes	Yes
Automatic boost charge after AC power failure (off/on)	Yes	Yes	Yes
High DC output protection	Yes	Yes	Yes
Temperature compensated charging voltage (off/on)	Yes	Yes	Yes
Alarm for temperature sensor fault	Yes	Yes	Yes
Remote sense compensation for voltage loss in cables (off/on)	Yes	Yes	Yes
Alarm for remote sense fault	Yes	Yes	Yes
Relay for rectifier/voltage fault with delay (10sec/10min)	Yes	Yes	Yes
Automatic alarm reset of indicators (off/on)	Yes	Yes	Yes
Voltage fault (off/on)	Yes	Yes	Yes
Rectifier/mains/fuse fault (off/on)	Yes	Yes	Yes
High voltage (adjustable level)	No	Yes	Yes
Low voltage (adjustable level)	No	Yes	Yes
Battery circuit test once/day (adjustable test level)	No	Yes	Yes
Battery circuit fault alarm blocking (off/on)	No	Yes	Yes
Earth fault (adjustable level)	No	Yes	Yes
Separate delay for high voltage (freely adjustable 10 sec - 30 min)	No	No	Yes
Separate delay for low voltage (freely adjustable 10 sec - 30 min)	No	No	Yes
Separate delay for earth fault (freely adjustable 1 sec - 30 sec)	No	No	Yes
External relay box with a relay for each alarm and sum alarm	No	No	Yes

Connections on the backside:

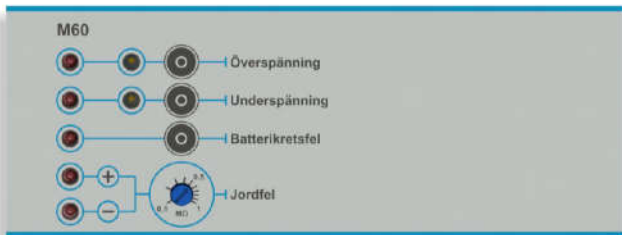


The picture shows RC 150-600W 19". Other models have similar connections. On the wall models the mains inlet is replaced with screw terminals and the M70 relay box is mounted internally as a circuit board.



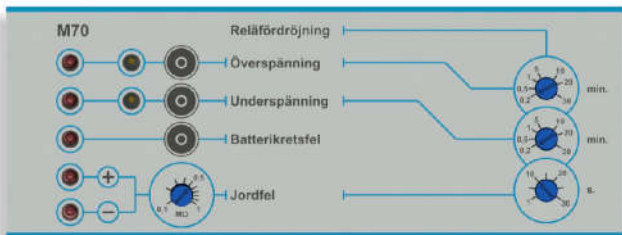
Standard alarms without M60/M70

- Rectifier/mains/fuse fault
- Voltage fault
- Temperature sensor fault
- Remote sense fault
- Sum alarm relay, delay 10sec/10min



Alarms with M60

- In addition to the standard features as above:
- High voltage
 - Low voltage
 - Battery circuit fault
 - Earth fault



Alarms with M70

- In addition to the standard features and M60 as above:
- Separate relays for rectifier/voltage fault, high voltage, low voltage, battery circuit fault, earth fault and sum relay.
 - Delay of rectifier/voltage fault: 10 sec/10 min
 - Delay of relays for high/low voltage: 10 sec - 30 min
 - Delay of relays for earth fault: 1-30 sec

Technical data

Input voltage

230V AC +/- 15% 1-phase 47-63 Hz

Power factor

Better than 0,98 at max load

Efficiency

80–90% (12-220V) at max load

Regulation

Primary switched regulation

Regulation tolerance better than 0,5%

Adjustment range 95-120% of Unom

Input for remote sense

Temperature compensated charging voltage

Ripple voltage

max 0,05% of Unom

Ps of interference

Max 1mV (12-48V)

Protection

Protection against high AC-input and high temperature

High DC output protection

Current limited

Short circuit protected

Temperature range

0-40 °C

Enclosure

IP20

Color RAL 7035



Model (U/I)	Power	Mains fuse	Dimensions 19"	Weight 19"	Dimensions wall	Weight wall
RC 12/10	150 W	6 A	2U x 19" x 320 mm	5 kg	410 x 270 x 115 mm	5 kg
RC 12/20	300 W	6 A	2U x 19" x 320 mm	6 kg	410 x 270 x 115 mm	6 kg
RC 12/35	500 W	6 A	2U x 19" x 320 mm	10 kg	455 x 355 x 210 mm	14 kg
RC 12/80	1200 W	10 A	3U x 19" x 320 mm	14 kg	455 x 355 x 210 mm	16.5 kg
RC 24/6	150 W	6 A	2U x 19" x 320 mm	5 kg	410 x 270 x 115 mm	5 kg
RC 24/10	300 W	6 A	2U x 19" x 320 mm	5 kg	410 x 270 x 115 mm	5 kg
RC 24/20	600 W	6 A	2U x 19" x 320 mm	6 kg	410 x 270 x 115 mm	6 kg
RC 24/35	1000 W	10 A	2U x 19" x 320 mm	10 kg	455 x 355 x 210 mm	14 kg
RC 24/60	1600 W	10 A	3U x 19" x 320 mm	14 kg	455 x 355 x 210 mm	17.5 kg
RC 36/8	300 W	6 A	2U x 19" x 320 mm	5 kg	410 x 270 x 115 mm	5 kg
RC 36/16	600 W	6 A	3U x 19" x 320 mm	6 kg	410 x 270 x 115 mm	6 kg
RC 48/6	300 W	6 A	2U x 19" x 320 mm	5 kg	410 x 270 x 115 mm	5 kg
RC 48/12	600 W	6 A	2U x 19" x 320 mm	6 kg	410 x 270 x 115 mm	6 kg
RC 48/20	1000 W	10 A	2U x 19" x 320 mm	10 kg	455 x 355 x 210 mm	14 kg
RC 48/35	1600 W	10 A	3U x 19" x 320 mm	14 kg	455 x 355 x 210 mm	17.5 kg
RC 60/5	300 W	6 A	2U x 19" x 320 mm	5 kg	410 x 270 x 115 mm	5 kg
RC 60/10	600 W	6 A	2U x 19" x 320 mm	6 kg	410 x 270 x 115 mm	6 kg
RC 110/2.5	300 W	6 A	2U x 19" x 320 mm	5 kg	410 x 270 x 115 mm	5 kg
RC 110/5	600 W	6 A	2U x 19" x 320 mm	6 kg	410 x 270 x 115 mm	6 kg
RC 110/10	1000 W	10 A	2U x 19" x 320 mm	10 kg	455 x 355 x 210 mm	14 kg
RC 110/15	1600 W	10 A	3U x 19" x 320 mm	14 kg	455 x 355 x 210 mm	16.5 kg
RC 120/2.2	300 W	6 A	2U x 19" x 320 mm	5 kg	410 x 270 x 115 mm	5 kg
RC 120/4.5	600 W	6 A	2U x 19" x 320 mm	6 kg	410 x 270 x 115 mm	6 kg
RC 120/9	1000 W	10 A	2U x 19" x 320 mm	10 kg	455 x 355 x 210 mm	14 kg
RC 120/14	1600 W	10 A	3U x 19" x 320 mm	14 kg	455 x 355 x 210 mm	16.5 kg
RC 220/5	1000 W	10 A	2U x 19" x 320 mm	10 kg	455 x 355 x 210 mm	14 kg
RC 220/7.5	1600 W	10 A	3U x 19" x 320 mm	14 kg	455 x 355 x 210 mm	16.5 kg

Other voltages and configurations can be offered.

For information, ordering and service:



Tel: +46 (8) 522 478 30

info@dcpartner.se, www.dcpartner.se

Box 401, 184 26 ÅKERSBERGA



Subject to change without notice
Copyright © DC-Design AB
B1944-2